

Note:

1. Material:

1.1 Housing: LCP

1.2 Contact: C2680, T=0.15mm

1.3 Shell: SUS316

2. ELECTRICAL:

2-1: CURRENT RATING:

VBUS AND GND CONTACTS RATED AT 1.25A

PARALLELED FOR A TOTAL OF 5A;

2-2: INITIAL CONTACT RESISTANCE : 40 MEGOHMS

2-3: DIELECTRIC WITHSTANDING VOLTAGE:

100V AC MIN;

3: MECHANICAL CHARACTERISTICS:

3-1: MATING FORCE: 5~20N

3-2: UNMATING FORCE: 8~20N (INITIAL),

6~20N (AFTER 10000 CYCLES)

3-3: FREQUENCY: 200 ± 50 CYCLES / HOUR,

10000 CYCLES

3-4: OPERATING TEMPERATURE ; -40° ~ 80° .

MEASURE POINT:  
 QUADRANT POINT QP  
 TANGENCY POINT TP  
 INTERSECTION POINT IP

UNLESS OTHERWISE  
 SPECIFIED, TOLERANCE:

X. ±0.25  
 X.x ±0.20  
 X.xx ±0.15  
 X.xxx ±0.10  
 ANGLES ±2°



深圳金盟实业有限公司

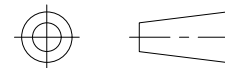
ShenzhenJinmengIndustrialCo., Ltd

TITLE: USB C TYPE CONNECTOR

TYPE-C 16PIN 直立式粉末冶金四脚外壳单圈H=8.0 IPX7

工程图

THIRD ANGLE PROJECTION



UNIT:

mm

SCALE:

1:1

SIZE:

A4

SHEET:

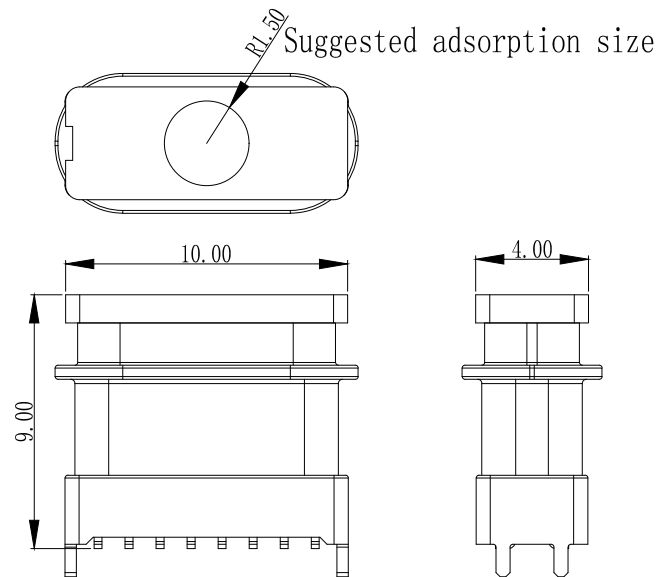
1/2

DRAW NO: 01.01.00037

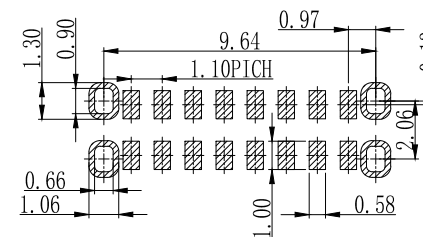
TEL: 0755-89973631

USB TYPE-C PIN ASSIGNMENTS

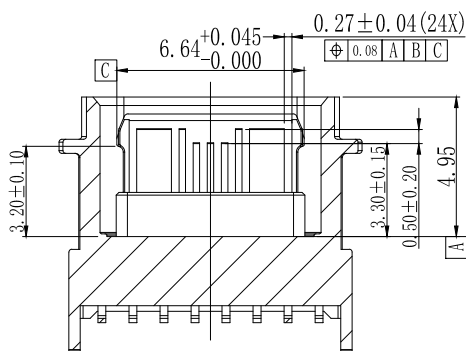
PIN NUMBER	SIGNAL NAME	PIN NUMBER	SIGNAL NAME
A1	GND	B12	GND
A2	TXp1	B11	RXp1
A3	TXn1	B10	RXn1
A4	VBUS	B9	VBUS
A5	CC1	B8	SBU2
A6	Dp1	B7	Dn2
A7	Dn1	B6	Dp2
A8	SBU1	B5	CC2
A9	VBUS	B4	VBUS
A10	RXn2	B3	TXn2
A11	RXp2	B2	TXp2
A12	GND	B1	GND



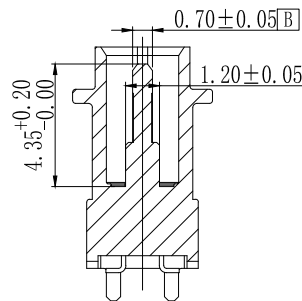
Install suction cap diagram



RECOMMENDED P.C.B. LAYOUT  
TOLERANCE UNSPECIFIED ±0.05mm



截面B-B



截面A-A

MEASURE POINT:  
 QUADRANT POINT  QP  
 TANGENCY POINT  TP  
 INTERSECTION POINT  IP

UNLESS OTHERWISE SPECIFIED, TOLERANCE:

- X. ±0.25
- X. x ±0.20
- X. xx ±0.15
- X. xxx ±0.10
- ANGLES ±2°



深圳金盟实业有限公司

ShenzhenJinmengIndustrialCo., Ltd

TITLE:USB C TYPE CONNECTOR

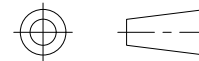
TYPE-C 16PIN直立式粉末冶金四脚外壳单面H=8.0 IPX7

工程图

DRAW NO:01.01.00037

TEL:0755-89973631

THIRD ANGLE PROJECTION



UNIT:

mm

SCALE:

1:1

SIZE:

A4

SHEET:

1/2